

# WCC Statistician's Course

# CURLIT Ltd.




CURLIT Curling Information Technology Ltd.



**Statistician's Course**

World Curling Championships


**Introduction**



- Thank you for your interest as a statistician at the World Curling Championships!
- Aim:**  
We provide a top class result and statistics service to the teams, coaches, media and spectators.

© CURLIT Ltd., November 2000 WCC Statistician's Course 2


**What do we expect from you?**



- Team work
- Exact work
- Curling knowledge
- Basic computer knowledge (Windows)
- Time ...

© CURLIT Ltd., November 2000 WCC Statistician's Course 3


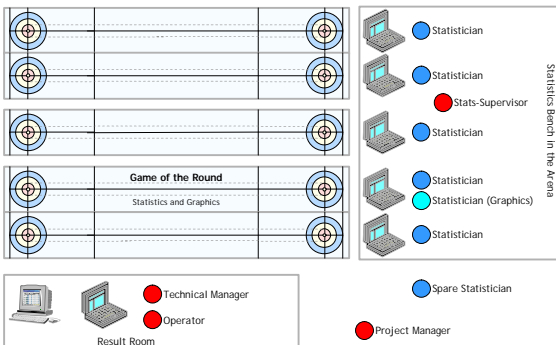
**Your Job**



- Statistician**
  - Follows the game all the time
  - Defines task, handle and points
  - Defines "most important play"
- For the "Game of the Round" and Play-Offs: Graphical Data Entry**
  - Uses the software to enter the position of all stones plus task, handle and points
  - Advices the statistician

© CURLIT Ltd., November 2000 WCC Statistician's Course 4

**Locations**

**Statistics Bench in the Arena**


- Statistician (blue circle)
- Stats-Supervisor (red circle)
- Statistician (blue circle)
- Statistician (blue circle)
- Statistician (blue circle)
- Statistician (Graphics) (cyan circle)
- Statistician (blue circle)
- Spare Statistician (blue circle)
- Project Manager (red circle)

**Result Room**

- Technical Manager (red circle)
- Operator (red circle)

© CURLIT Ltd., November 2000 WCC Statistician's Course 5

**Results and Statistics: Equipment**



- By CURLIT:**
  - Computer (1 Notebook/sheet)
  - Network
  - Radio (Supervisor only)
  - Emergency paper
  - ...
- By Volunteers:**
  - Pencil
  - Eraser
  - Binoculars
  - ...

© CURLIT Ltd., November 2000 WCC Statistician's Course 6



**Statistics**  
**"How to score"**



- Please read carefully the included presentation "How to score"
- A Supervisor will always be close to you and ready to help: Just call and ask!